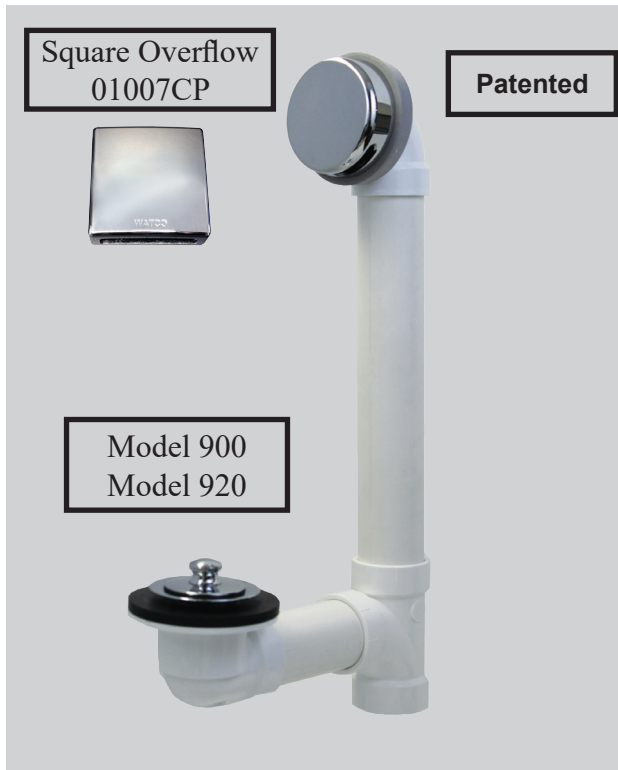


Schedule 40



Not Shown: Half Kits (No Tee or Pipe)

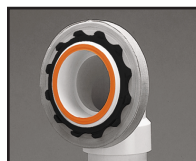
Model 901: Stoppers, Knobs, Strainer Bodies determined by type of tub closure, i.e., Lift and Turn, etc.

Model 921-PP: ABS Stopper, Plastic Knob, Brass Strainer Body, Chrome PP only

Model 951-PP: ABS Stopper, Plastic Knob, Zinc Strainer Body, Chrome PP only



Includes built-in test membrane



Easily remove membrane after test



Snap-on overflow plate. No screws

See price list for complete item numbers and available options.

When ordering, please specify complete item number and any applicable option codes.

WATCO



For More Information Contact:
WATCO Manufacturing Company
 1220 South Powell Road
 Independence, MO 64057-2724
 Ph. 816-796-3900 • FAX 816-796-0875

Always a step ahead

www.watcomfg.com

© 2020 WATCO Mfg. Co.

Designs and dimensions of product are subject to change without notice.

Form: 900 Rev. 100 10/20

Innovator® 900/901

Stoppers, Knobs, and Bodies determined by tub closure selected

Innovator® 920/921

ABS Plastic Stopper, Plastic Knob, Brass Body, Chrome PP only

Innovator® 951 Half Kit

ABS Plastic Stopper, Plastic Knob, Zinc Body, Chrome PP only

Sturdy 1.5" Schedule 40 PVC or ABS Solvent Weld Assembly

SPECIFICATIONS

FEATURES:

- Eliminates all screws
- Eliminates need for separate overflow test plug
- Eliminates leaks due to loose overflow attachment
- Eliminates dual inventory of one- and two-hole overflow plates

APPROVALS (900/901 models):

- Manufactured in compliance with ASME A112.18.2-2005/CSA B125.2-2005.

PATENTS (Innovator®):

- <https://www.watcomfg.com/patents>

THREADS (Strainer Body and Drain Elbow):

- 1 1/2" – 11 1/2 NPSM (Coarse Thread)
- 1.865" Major Diameter (outside thread diameter)
- 11.5 threads per inch

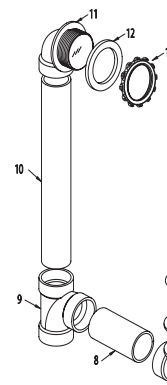
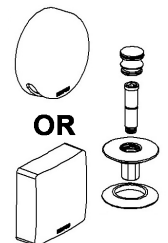
PIPING: PVC ABS

ROUGH-IN (RI's) and STOPPER/FACEPLATE (SF's)

STOPPER/FACEPLATE'S

(example: 900-PPSF-0-CP)

Overflow plate and stopper assembly

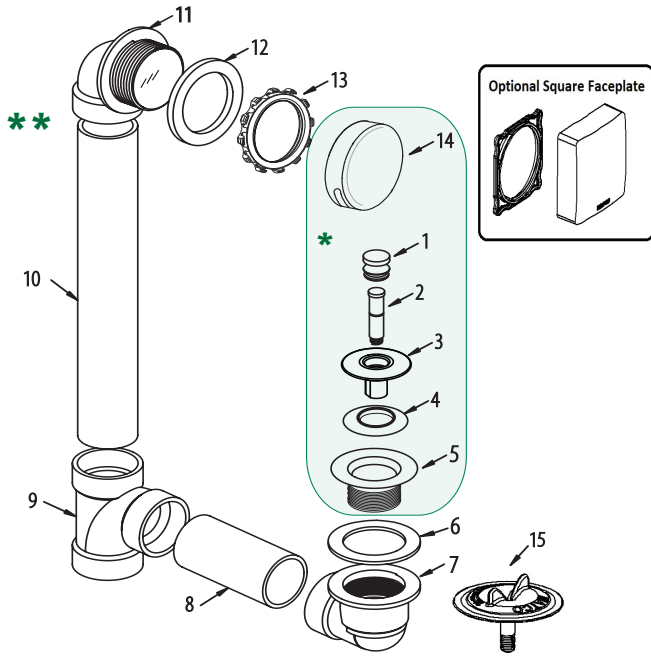


ROUGH-IN'S

(example: 900-PPRI-PVC-CP)

All parts, including strainer body, except the overflow plate and stopper assembly

900/901 Series Parts List



Parts Bag #11810-__: #6, #12, #13, and #14
 Half Kits consist of parts #1-#7 and #11-#15.

Item	Part #	Description
1	01010CP	PUSH PULL® Knob, Brass
2	11510	Friction Ring (11505) and Post (11532)
3	01013CP	Stopper, Brass
4	11507	Seal, 1 1/16" dia.
5	01016CP	Strainer Body, 1.865" - 11.5 - 1.25"
6	10696	Drain Ell Washer, 1.5" gray
7	11008	Drain Ell, Schedule 40, ABS
	14008	Drain Ell, Schedule 40, PVC
8	11605	Pipe, Schedule 40, ABS, 1.5" x 4.625"
	11606	Pipe, Schedule 40, PVC, 1.5" x 4.625"
9	14011	Sanitary Tee, Schedule 40, ABS
	14010	Sanitary Tee, Schedule 40, PVC
10	11605	Pipe, Schedule 40 ABS, 1.5" x 11.75"
	11606	Pipe, Schedule 40 PVC, 1.5" x 11.75"
11	11020	Innovator® Overflow Ell, Schedule 40, ABS
	14020	Innovator® Overflow Ell, Schedule 40, PVC
12	10675	Overflow Ell Washer, Foam
13	11121	Retainer Nut for Innovator®
14	01005CP	Overflow Plate for Innovator®
	01007CP	Square Face Plate for Innovator®
15	11575	Test Plug with O-Ring-type Gasket

* SF: (example: 900-PPSE) Parts #1 thru #4, and #14

** RI: (example: 900-PPRI) Parts #5 thru #13, and #15

OPTIONAL TUB CLOSURES FOR 900/901-SERIES BATH WASTES (PUSH PULL® ALSO SHOWN ABOVE)

PUSH PULL®
Coarse Thread

- 01010CP
- 01010__*
- 11510
- 01013CP
- 01013__*
- 11507
- 01016CP
- 01016__*

LIFT & TURN
Coarse Thread

- 01010CP
- 01010__*
- 11079
- 11088
- 11290CP
- 01013__*
- 11507
- 11492CP
- 01016__*

PREFLO®
Coarse Thread

- 11145CP
- 11145__*
- 11132
- 11060CP
- 11060__*
- 96039: Suction Cup for removing stopper

FOOT ACTUATED
Coarse Thread

- 38412-CP
- 38412-__*
- 11492-CP
- 01016-__*

*If finish other than Chrome is desired, please use this part number and indicate desired finish.

Finishes Available in the 900/901 Series:

921 PUSH PULL®

- 11309CP
- 11510
- 11290CP
- 11507
- 01016CP

951 PUSH PULL®

- 11309CP
- 11510
- 11290CP
- 11507
- 11492CP

Tub Closure:	PUSH PULL®	LIFT & TURN	PREFLO®	FOOT ACT.
AP - Aged Pewter	•	•	•	
BB - Brushed Bronze	•	•	•	•
BN - Brushed Nickel	•	•	•	•
BO - Bone	•	•		
BS - Biscuit	•	•		
BZ - Oil-Rubbed Bronze	•	•	•	•
CB - Chrome Brushed	•	•	•	•
CP - Chrome Plated	•	•	•	•
NP - Nickel Polished	•	•	•	•
PB - Polished Brass	•	•	•	•
WH - White	•	•		•

Roughing-In Dimensions

